

CABINETS DOOR STYLES

- Five piece mortise and tenon Flat Panel style door with 2-1/2" stile and five pieces of slab drawer front.
- Premier natural maple finish
- 3/4" Thick solid wood doors for interior and face frames
- 5/8" Dovetail solid wood drawer box
- 1/2" Premier plywood box
- Metal concealed under-mount soft close drawer guide
- 6-Way adjustable European concealed door hinges
- Standard overlay door design (1" revealed frame)
- Plastic corner brace



York



White Shaker



Shaker Espresso



Salem



Rustic Tuscany



Oxford



Newport



Mission White



Maple Glaze



Golden Oak



Grey



Navy Blue

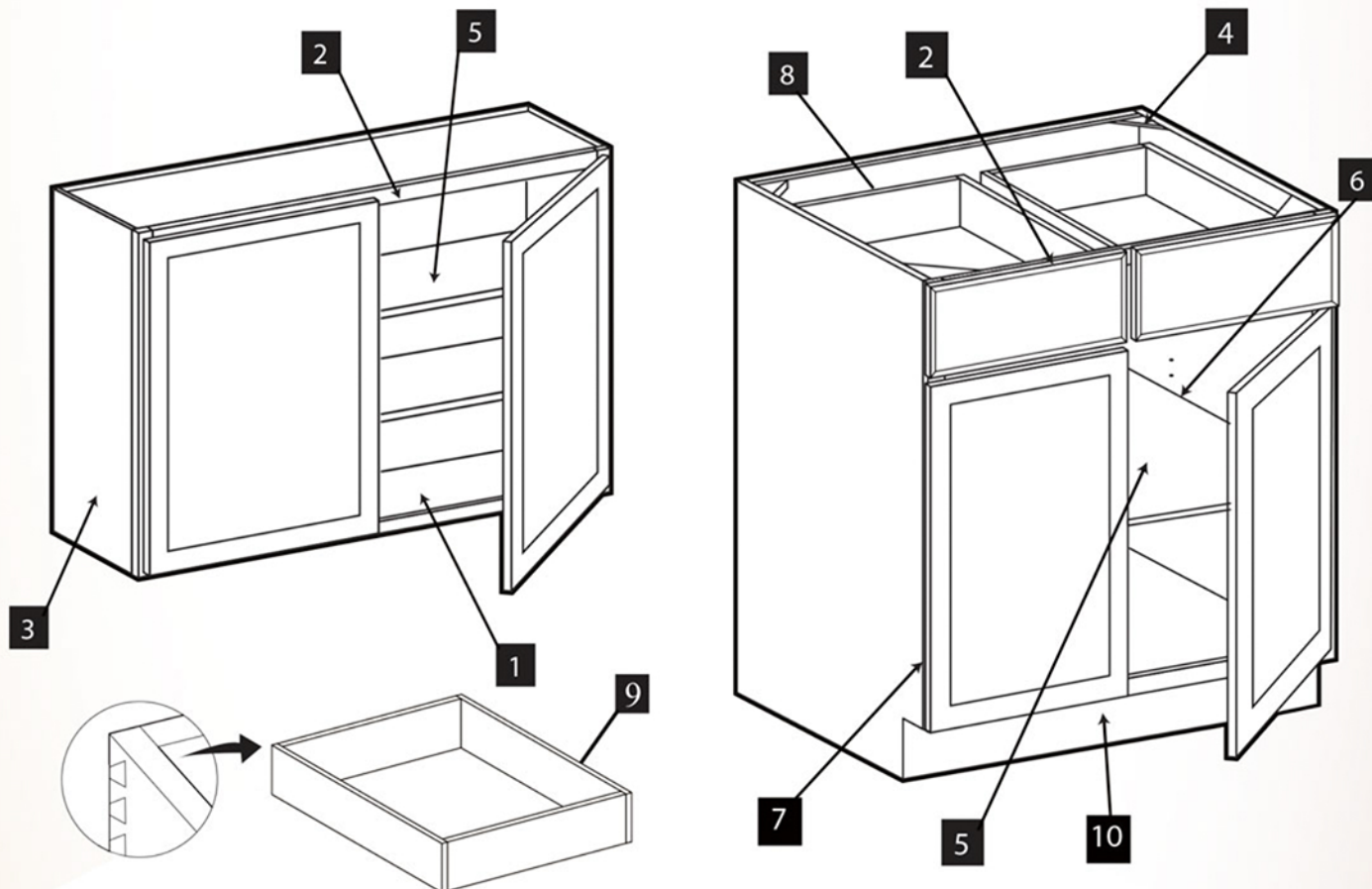


Cabinetry 1 inc.

FULL ACCESS KITCHEN & BATH CABINETS

Construction Details:

1 Interior	1/2" birch plywood with a natural UV finish 1/2" furniture core vinyl wrapped board
2 Face Frame	3/4" solid hardwood doweled and joint glued
3 End Panels	1/2" plywood natural VU finish 1/2" furniture core vinyl wrapped board
4 Corner Supports	4 pcs corner braces provide stability and support for countertop attachment
5 Shelves	3/4" adjustable plywood natural finish with matching edgebanding (Base shelves are full depth)
6 Shelf Supports	5mm metal spoon shelf pins
7 Hinges	Fully concealed, 110 degree opening featuring multiple adjustments for ease of alignment
8 Runners/Glides	Full-extension soft-close undermount guides with 100 lb capacity 3/4 extension undermount guides with 75 lb capacity
9 Drawers & Roll-Out Trays	5/8" solid hardwood, four-sided dovetail with 5/16" captured plywood floor, all finished natural to coordinate with cabinet interior
10 Toe Kick	1/2" plywood secured between end panels (Provides solid backing for installation of matching toe tick or other materials such as ceramic, vinyl, etc.)



Cabinet Construction

